

# Sustainability that pays off.

«Essentials for the Best!»

**SCHNEEBERGER**  
LINEAR TECHNOLOGY

## MONORAIL profile rail guideway with integrated magnetoresistive measuring system AMS

### Modular linear measuring system reduces lifetime costs of machine tools

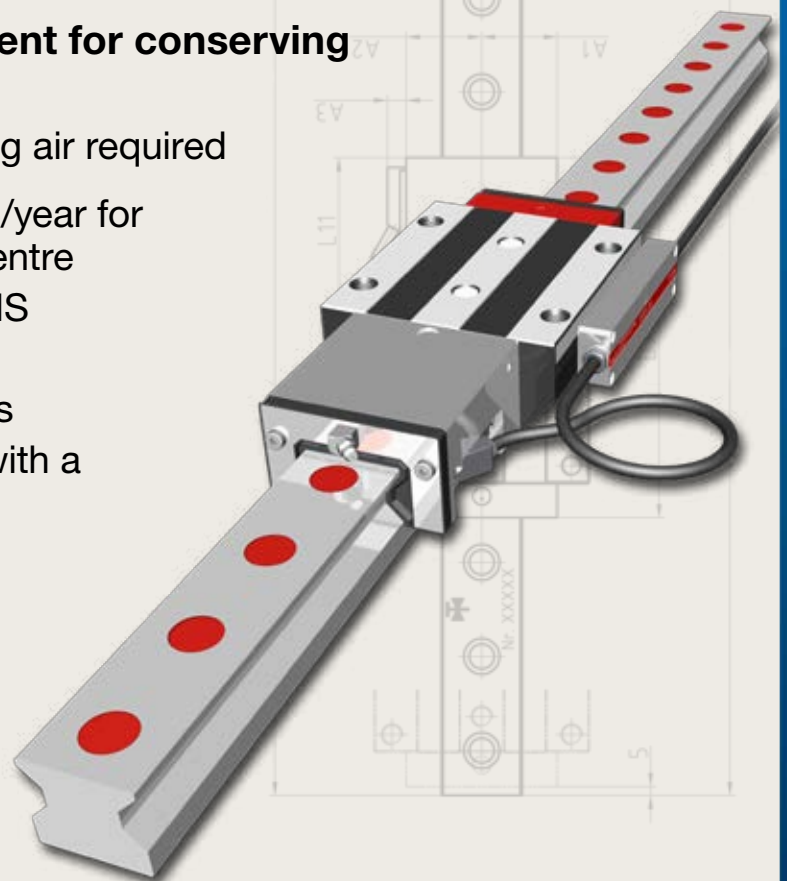
- Increased reliability
- Low failure rate
- Reduced servicing and maintenance costs

### Reduction in friction factors

- Optimised wiper geometry
  - **Energy cost savings** thanks to reduced displacement forces of approx. €250/year for a medium-sized processing centre

### Further technological development for conserving resources and energy

- No supplementary supply of sealing air required
  - **Energy saving** of approx. €75/year for a medium-sized processing centre
- The fully operational integrated AMS measuring system for a simple installation and adjustment process
- Reduction in service expenditure with a dust- and liquid-tight sensor head
  - **Protection class IP68**



BLUECOMPETENCE

Alliance Member